

TIA STANDARD

Interoperability Specification (IOS) for cdma2000[®] Access Network Interfaces - Part 1 Overview

TIA-2001.1-D

July 2007

TELECOMMUNICATIONS INDUSTRY ASSOCIATION



Representing the telecommunications industry in
association with the Electronic Industries Alliance



NOTICE

TIA Engineering Standards and Publications are designed to serve the public interest through eliminating misunderstandings between manufacturers and purchasers, facilitating interchangeability and improvement of products, and assisting the purchaser in selecting and obtaining with minimum delay the proper product for their particular need. The existence of such Standards and Publications shall not in any respect preclude any member or non-member of TIA from manufacturing or selling products not conforming to such Standards and Publications. Neither shall the existence of such Standards and Publications preclude their voluntary use by Non-TIA members, either domestically or internationally.

Standards and Publications are adopted by TIA in accordance with the American National Standards Institute (ANSI) patent policy. By such action, TIA does not assume any liability to any patent owner, nor does it assume any obligation whatever to parties adopting the Standard or Publication.

This Standard does not purport to address all safety problems associated with its use or all applicable regulatory requirements. It is the responsibility of the user of this Standard to establish appropriate safety and health practices and to determine the applicability of regulatory limitations before its use.

(From Project No. 3-4545.1-RV4, formulated under the cognizance of the TIA TR-45 Mobile & Personal Communications Systems, TR-45.4 Subcommittee on Radio to Switching Technology.)

Published by

©TELECOMMUNICATIONS INDUSTRY ASSOCIATION
Standards and Technology Department
2500 Wilson Boulevard
Arlington, VA 22201 U.S.A.

**PRICE: Please refer to current Catalog of
TIA TELECOMMUNICATIONS INDUSTRY ASSOCIATION STANDARDS
AND ENGINEERING PUBLICATIONS
or call Information Handling Services, USA and Canada
(1-877-413-5187) International (303-397-2896)
or search online at <http://www.tiaonline.org/standards/catalog/>**

All rights reserved
Printed in U.S.A.

NOTICE OF COPYRIGHT

This document is copyrighted by the TIA.

Reproduction of these documents either in hard copy or soft copy (including posting on the web) is prohibited without copyright permission. For copyright permission to reproduce portions of this document, please contact TIA Standards Department or go to the TIA website (www.tiaonline.org) for details on how to request permission. Details are located at:

<http://www.tiaonline.org/standards/catalog/info.cfm#copyright>

OR

Telecommunications Industry Association
Standards & Technology Department
2500 Wilson Boulevard, Suite 300
Arlington, VA 22201 USA
+1(703)907-7700

Organizations may obtain permission to reproduce a limited number of copies by entering into a license agreement. For information, contact:

IHS
15 Inverness Way East
Englewood, CO 80112-5704 or call
U.S.A. and Canada (1-800-525-7052)
International (303-790-0600)

NOTICE OF DISCLAIMER AND LIMITATION OF LIABILITY

The document to which this Notice is affixed (the “Document”) has been prepared by one or more Engineering Committees or Formulating Groups of the Telecommunications Industry Association (“TIA”). TIA is not the author of the Document contents, but publishes and claims copyright to the Document pursuant to licenses and permission granted by the authors of the contents.

TIA Engineering Committees and Formulating Groups are expected to conduct their affairs in accordance with the TIA Engineering Manual (“Manual”), the current and predecessor versions of which are available at <http://www.tiaonline.org/standards/procedures/manuals/>TIA’s function is to administer the process, but not the content, of document preparation in accordance with the Manual and, when appropriate, the policies and procedures of the American National Standards Institute (“ANSI”). TIA does not evaluate, test, verify or investigate the information, accuracy, soundness, or credibility of the contents of the Document. In publishing the Document, TIA disclaims any undertaking to perform any duty owed to or for anyone.

If the Document is identified or marked as a project number (PN) document, or as a standards proposal (SP) document, persons or parties reading or in any way interested in the Document are cautioned that: (a) the Document is a proposal; (b) there is no assurance that the Document will be approved by any Committee of TIA or any other body in its present or any other form; (c) the Document may be amended, modified or changed in the standards development or any editing process.

The use or practice of contents of this Document may involve the use of intellectual property rights (“IPR”), including pending or issued patents, or copyrights, owned by one or more parties. TIA makes no search or investigation for IPR. When IPR consisting of patents and published pending patent applications are claimed and called to TIA’s attention, a statement from the holder thereof is requested, all in accordance with the Manual. TIA takes no position with reference to, and disclaims any obligation to investigate or inquire into, the scope or validity of any claims of IPR. TIA will neither be a party to discussions of any licensing terms or conditions, which are instead left to the parties involved, nor will TIA opine or judge whether proposed licensing terms or conditions are reasonable or non-discriminatory. TIA does not warrant or represent that procedures or practices suggested or provided in the Manual have been complied with as respects the Document or its contents.

If the Document contains one or more Normative References to a document published by another organization (“other SSO”) engaged in the formulation, development or publication of standards (whether designated as a standard, specification, recommendation or otherwise), whether such reference consists of mandatory, alternate or optional elements (as defined in the TIA Engineering Manual, 4th edition) then (i) TIA disclaims any duty or obligation to search or investigate the records of any other SSO for IPR or letters of assurance relating to any such Normative Reference; (ii) TIA’s policy of encouragement of voluntary disclosure (see Engineering Manual Section 6.5.1) of Essential Patent(s) and published pending patent applications shall apply; and (iii) Information as to claims of IPR in the records or publications of the other SSO shall not constitute identification to TIA of a claim of Essential Patent(s) or published pending patent applications.

TIA does not enforce or monitor compliance with the contents of the Document. TIA does not certify, inspect, test or otherwise investigate products, designs or services or any claims of compliance with the contents of the Document.

ALL WARRANTIES, EXPRESS OR IMPLIED, ARE DISCLAIMED, INCLUDING WITHOUT LIMITATION, ANY AND ALL WARRANTIES CONCERNING THE ACCURACY OF THE CONTENTS, ITS FITNESS OR APPROPRIATENESS FOR A PARTICULAR PURPOSE OR USE, ITS MERCHANTABILITY AND ITS NONINFRINGEMENT OF ANY THIRD PARTY’S INTELLECTUAL PROPERTY RIGHTS. TIA EXPRESSLY DISCLAIMS ANY AND ALL RESPONSIBILITIES FOR THE ACCURACY OF THE CONTENTS AND MAKES NO REPRESENTATIONS OR WARRANTIES REGARDING THE CONTENT’S COMPLIANCE WITH ANY APPLICABLE STATUTE, RULE OR REGULATION, OR THE SAFETY OR HEALTH EFFECTS OF THE CONTENTS OR ANY PRODUCT OR SERVICE REFERRED TO IN THE DOCUMENT OR PRODUCED OR RENDERED TO COMPLY WITH THE CONTENTS.

TIA SHALL NOT BE LIABLE FOR ANY AND ALL DAMAGES, DIRECT OR INDIRECT, ARISING FROM OR RELATING TO ANY USE OF THE CONTENTS CONTAINED HEREIN, INCLUDING WITHOUT LIMITATION ANY AND ALL INDIRECT, SPECIAL, INCIDENTAL OR CONSEQUENTIAL DAMAGES (INCLUDING DAMAGES FOR LOSS OF BUSINESS, LOSS OF PROFITS, LITIGATION, OR THE LIKE), WHETHER BASED UPON BREACH OF CONTRACT, BREACH OF WARRANTY, TORT (INCLUDING NEGLIGENCE), PRODUCT LIABILITY OR OTHERWISE, EVEN IF ADVISED OF THE POSSIBILITY OF SUCH DAMAGES. THE FOREGOING NEGATION OF DAMAGES IS A FUNDAMENTAL ELEMENT OF THE USE OF THE CONTENTS HEREOF, AND THESE CONTENTS WOULD NOT BE PUBLISHED BY TIA WITHOUT SUCH LIMITATIONS.

Table of Contents

1			
2			
3	1.0	Introduction	1
4	1.1	Overview	1
5	1.1.1	Purpose	1
6	1.1.2	Scope	3
7	1.1.3	New Features and Enhancements in this Release	4
8	1.2	References	4
9	1.2.1	TIA / EIA	4
10	1.2.2	3GPP2	5
11	1.2.3	Other.....	6
12	1.3	Terminology	6
13	1.3.1	Acronyms	6
14	1.3.2	Definitions	7
15	1.4	Organization	11
16	1.4.1	Overall IOS Specifications	11
17	1.5	Document Layout	12
18	1.6	Documentation Conventions	13
19	1.6.1	Procedural Descriptions	14
20	2.0	Interface Model	15
21	2.1	Reference Points A, A _{ter} , A _{quinter} , A _{quater} , 48 and 27	15
22	2.2	Interface Reference Model	15
23	3.0	Information Flows	19
24	4.0	MS Mobility for Packet Data Service.....	21
25			
26			

List of Figures

1
2
3
4
5
6
7

Figure 1.6-1	Document Convention Example: Call Clear Initiated by MS	14
Figure 2.2-1	Reference Model for Circuit Switched cdma2000 Access Network Interfaces.....	16
Figure 2.2-2	Reference Model for Packet-based cdma2000 Access Network Interfaces.....	17
Figure 4-1	Levels of Packet Data Mobility	21

List of Tables

1
2
3
4

Table 1.4.1-1	IOS Cross References.....	11
---------------	---------------------------	----

Foreword

(This foreword is not part of this standard.)

This document was produced by TSG-A of the Third Generation Partnership Project 2. This document was developed in accordance with the procedural guidelines of 3GPP2 and its Organizational Partners, and represents the consensus position of these groups.

The Working Groups acknowledge the contributions made by the following individuals in the development of this standard:

Name	Representing	Position
George Turnipseed	Sprint PCS	TIA TR45.4 Chair
George Turnipseed	Sprint PCS	3GPP2 TSG-A Chair
Roger Edwards	3GPP2 Secretariat	Professional Editor
David Ott	Qualcomm	Part 1 (Overview) Technical Editor
Scott Marin	Motorola	Part 2 (Transport) Technical Editor
Bill Semper	Samsung	Part 3 (Features) Technical Editor and Chair for comment resolution
Mini Vasudevan and Sanket Nesargi	Nortel Networks	Part 4 (A1/A2/A5) Technical Editors
Janice Wunsch	Lucent Technologies	Part 5 (A3/A7) Technical Editor
Shahab Sayeedi	Motorola	Part 6 (A8/A9) Technical Editor
Erik Colban	Ericsson	Part 7 (A10/A11) Technical Editor

Suggestions for improvement of this standard are welcome. They should be sent to:

Director, 3GPP2
250 Wilson Boulevard, Suite 300
Arlington, VA 22201 USA

1.0 Introduction

1.1 Overview

This standard describes the overall system functions, including services and features required for interfacing a base station (BS) to a Mobile Switching Center (MSC), Mobile Switching Center Emulation (MSCe), Media Gateway (MGW), other BSs, and a Packet Control Function (PCF). It further describes the interface between a PCF and a Packet Data Service Node (PDSN). These interfaces are based on interoperation with the cdma2000^{®1} air interface [1]~[6], the wireless IP network [8] and the ANSI-41 core network [9].

This standard is intended to provide sufficient specification of a set of interfaces to support the interoperability of one vendor's equipment with that of another. Which interface(s) a vendor chooses to implement is dependent on business decisions, and is up to each vendor. However conformance to any given interface specified within this standard requires all of the messages and procedures for supported features on that interface to be supported as specified within this standard. Establishing standard interfaces allows the BS, MSC MSCe, MGW, PCF, and PDSN equipment to evolve independently and to be provided by multiple vendors.

1.1.1 Purpose

The purpose is to provide the standard for:

- interfacing a circuit switched MSC with one or more BSs,
- interfacing an MSCe with one or more BSs,
- interfacing an MGW with one or more BSs,
- interfacing a BS with one or more BSs,
- interfacing a PCF with one or more BSs,
- interfacing one or more PDSNs with one or more PCFs.

This document defines the functional capabilities, including services and features, of the specified interfaces. These services and features are the defining characteristics that are the basis for the overall system standard.

The MSC-BS interface provides telecommunications services access between a Mobile Switching Center and a base station. It specifically represents the demarcation point between the MSC and the BS which coincides with the Reference Point "A". This point establishes the technical interface and designates the test points and operational division

¹ cdma2000[®] is the trademark for the technical nomenclature for certain specifications and standards of the Organizational Partners (OPs) of 3GPP2. When applied to goods and services, the cdma2000[®] mark certifies their compliance with cdma2000[®] standards. Geographically (and as of the date of publication), cdma2000[®] is a registered trademark of the Telecommunications Industry Association (TIA-USA) in the United States.

1 of responsibility between the MSC and the BS. The MSC and BS interface is defined as
2 the A1/A2/A5 interface shown in Figure 2.2-1.

3 The MSCe-BS interface provides telecommunications services access between an MSCe
4 and a BS. It specifically represents the demarcation point between the MSCe and the BS,
5 which coincides with the Reference Point 48 [19]. This point establishes the technical
6 interface and designates the test points and operational division of responsibility between
7 the MSCe and the BS. The MSCe and BS interface is defined as the A1p interface shown
8 in Figure 2.2-2.

9 This standard fulfills the following criteria:

- 10 • supports current [1]~[6], [7] and [10] air interfaces;
- 11 • makes maximum use of existing standards from the TIA and other sources;
- 12 • promotes reliability enhancement, technical innovation, network product availability,
13 and economic competition;
- 14 • allows connection of various manufacturers' BSs to the same MSC;
- 15 • supports future MSC and BS implementations;
- 16 • allows the separate evolution of MSC and BS technology.

17 The BS-MGW interface provides a bearer for traffic between a BS and an MGW. The BS
18 and MGW interface, defined as the A2p interface (Reference Point 27), is shown in
19 Figure 2.2-2.

20 The source BS - target BS interface provides for inter-BS soft/softer handoffs. It
21 specifically represents the demarcation point between two BSs which coincides with the
22 Reference Point "A_{ter}". This point establishes the technical interface and designates the
23 test points and operational division of responsibility between the source BS and target
24 BS. The source BS and target BS interface is defined as the A3/A7 interface shown in
25 Figure 2.2-1 and Figure 2.2-2.

26 The BS-PCF interface provides access between the BS and the Packet Control Function
27 for high speed packet data services. It specifically represents the demarcation point
28 between the BS and the PCF which coincides with the Reference Point "A_{quinter}". This
29 point establishes the technical interface and designates the test points and operational
30 division of responsibility between the BS and the PCF. The BS-PCF interface is defined
31 as the A8/A9 interface shown in Figure 2.2-1 and Figure 2.2-2.

32 The PCF-PDSN interface provides access between a Packet Control Function and a
33 Packet Data Serving Node for high speed packet data services. It specifically represents
34 the demarcation point between the PCF and the PDSN which coincides with the
35 Reference Point "A_{quater}". This point establishes the technical interface and designates
36 the test points and operational division of responsibility between the PCF and the PDSN.
37 The PCF-PDSN interface is defined as the A10/A11 interface shown in Figure 2.2-1 and
38 Figure 2.2-2.

39 The PCF-PDSN interface definition fulfills the following criteria:

- 40 • allows connection of various manufacturers' PCFs to the same PDSN and vice versa;
- 41 • makes maximum use of existing standards from the Internet Engineering Task Force
42 (IETF) and other sources;
- 43 • promotes quality of service and accounting information exchange between the PCFs
44 and the PDSNs;

- 1 • promotes reliability enhancement, technical innovation, network product availability,
2 and economic competition;
- 3 • supports future PCF and PDSN implementations;
- 4 • allows the separate evolution of PCF and PDSN technologies.

5 **1.1.2 Scope**

6 This standard provides the specification for the interfaces which coincide with the
7 Reference Points “A”, “A_{ter}”, “A_{quater}”, and “A_{quinter}” defined in the TR45 Network Ref-
8 erence Model shown in [18] and Reference Points 27 and 48 for Legacy MS Support
9 [19].

10 The scope of this standard includes the following topics:

- 11 • MSC-BS and BS-BS interfaces:
 - 12 – descriptions of the specified functional capabilities that provide wireless
13 telecommunications services across the MSC-BS and BS-BS interfaces as
14 defined in the TR45 Network Reference Model;
 - 15 – descriptions of the specified functional capabilities that provide wireless tele-
16 communications services across the MSCe-BS and the MGW-BS interfaces;
 - 17 – descriptions of the division of responsibility of the functions provided between
18 the BS and the MSC, and between the source BS and the target BS, without
19 prescribing specific implementations;
 - 20 – descriptions of the MSC-BS interface and the BS-BS interface standards that
21 support DS-41 and cdma2000 systems.
- 22 • BS-PCF interfaces:
 - 23 – descriptions of the specified functional capabilities that provide packet data
24 services across the BS-PCF interface;
 - 25 – descriptions of the division of responsibility of the functions provided between
26 the BS and the PCF without prescribing specific implementations.
- 27 • PCF-PDSN interfaces:
 - 28 – descriptions of the specified functional capabilities that provide packet data
29 services across the PCF-PDSN interface;
 - 30 – descriptions of the division of responsibility of the functions provided between
31 the PCF and the PDSN without prescribing specific implementations.

32 The interfaces defined in this standard are specified by a set of characteristics, including:

- 33 • physical and electromagnetic parameters;
- 34 • channel structures;
- 35 • message types and contents;
- 36 • network operating procedures;
- 37 • user data framing and transport.

1
2
3
4
5
6
7
8
9
10
11
12
13
14
15
16
17
18
19
20
21
22
23
24
25
26
27
28
29
30
31
32
33
34
35
36
37
38
39
40

1.1.3 New Features and Enhancements in this Release

The following features have been added to this revision of the standard:

- A10 Flow Control
- Circuit Switched Video Conferencing Support (Service Options 57, 58)
- Direct Channel Assignment
- Mobile Equipment Identifier (MEID) Support
- Page Set Maintenance
- Remote Transcoder Operation (RTO)
- Reverse Packet Data Channel (R-PDCH) Support
- Transcoder Free Operation (TrFO)
- Vocoder Support
 - Wideband Speech Codec
- Voice Preference Over Packet (VPOP)

Enhancements have been made to the following features in this revision of the standard:

- PDSN Selection Algorithm
- Short Data Bursts

1.2 References

For ease of cross referencing, the Telecommunications Industry Association (TIA) / Electronics Industry Association (EIA) references provided in section 1.2.1 are aligned with the 3GPP2 references provided in section 1.2.2. For consistency within IOS parts, the most commonly referenced documents [1]~[17] shall be the same as they appear here in this part, or left as “Reserved” if not used in a particular IOS part.

1.2.1 TIA / EIA

- [1] TIA-2000.1-D, *Introduction to cdma2000[®] Standards for Spread Spectrum Systems*, March 2004.
- [2] TIA-2000.2-D, *Physical Layer Standard for cdma2000[®] Spread Spectrum Systems*, March 2004.
- [3] TIA-2000.3-D, *Medium Access Control (MAC) Standard for cdma2000[®] Spread Spectrum Systems*, March 2004.
- [4] TIA-2000.4-D, *Signaling Link Access Control (LAC) Standard for cdma2000[®] Spread Spectrum Systems*, March 2004.
- [5] TIA-2000.5-D, *Upper Layer (Layer 3) Signaling Standard for cdma2000[®] Spread Spectrum Systems*, March 2004.
- [6] TIA-2000.6-D, *Analog Signaling Standard for cdma2000[®] Spread Spectrum Systems*, March 2004.
- [7] TIA/EIA/IS-834, *G3G CDMA-DS to ANSI/TIA/EIA-41*, March 2000.
- [8] TIA-835-C, *cdma2000[®] Wireless IP Network Standard*, August 2003.
- [9] TIA/EIA-41-D, *Cellular Radiotelecommunications Intersystem Operations*; December 1997.

- 1 [10] TIA/EIA-95-B, *Mobile Station - Base Station Compatibility Standard for*
2 *Wideband Spread Spectrum Cellular Systems*, March 1999.
- 3 [11] TIA-2001.1-D, *Interoperability Specification (IOS) for cdma2000[®] Access*
4 *Network Interfaces – Part 1 Overview*, February 2005.
- 5 [12] TIA-2001.2-D, *Interoperability Specification (IOS) for cdma2000[®] Access*
6 *Network Interfaces – Part 2 Transport*, February 2005.
- 7 [13] TIA-2001.3-D, *Interoperability Specification (IOS) for cdma2000[®] Access*
8 *Network Interfaces – Part 3 Features*, February 2005.
- 9 [14] TIA-2001.4-D, *Interoperability Specification (IOS) for cdma2000[®] Access*
10 *Network Interfaces – Part 4 (A1, A1p, A2, and A5 Interfaces)*, February 2005.
- 11 [15] TIA-2001.5-D, *Interoperability Specification (IOS) for cdma2000[®] Access*
12 *Network Interfaces – Part 5 (A3 and A7 Interfaces)*, February 2005.
- 13 [16] TIA-2001.6-D, *Interoperability Specification (IOS) for cdma2000[®] Access*
14 *Network Interfaces – Part 6 (A8 and A9 Interfaces)*, February 2005.
- 15 [17] TIA-2001.7-D, *Interoperability Specification (IOS) for cdma2000[®] Access*
16 *Network Interfaces – Part 7 (A10 and A11 Interfaces)*, February 2005.
- 17 [18] TIA/EIA/TSB100-A, *Wireless Network Reference Model*, March 2001.
18 (informative)
- 19 [19] TIA-872-A, *3GPP2 All-IP Core Network Enhancements for Legacy MS Domain*
20 *– Step-1 (2004)*, May 2004.

21 1.2.2 3GPP2

- 22 [1] 3GPP2 C.S0001-D, *Introduction to cdma2000[®] Standards for Spread Spectrum*
23 *Systems*, February 2004.
- 24 [2] 3GPP2 C.S0002-D, *Physical Layer Standard for cdma2000[®] Spread Spectrum*
25 *Systems*, February 2004.
- 26 [3] 3GPP2 C.S0003-D, *Medium Access Control (MAC) Standard for cdma2000[®]*
27 *Spread Spectrum Systems*, February 2004.
- 28 [4] 3GPP2 C.S0004-D, *Signaling Link Access Control (LAC) Standard for*
29 *cdma2000[®] Spread Spectrum Systems*, February 2004.
- 30 [5] 3GPP2 C.S0005-D, *Upper Layer (Layer 3) Signaling Standard for cdma2000[®]*
31 *Spread Spectrum Systems*, February 2004.
- 32 [6] 3GPP2 C.S0006-D, *Analog Signaling Standard for cdma2000[®] Spread*
33 *Spectrum Systems*, February 2004.
- 34 [7] 3GPP2 C.S0007-0, *Direct Spread Specification for Spread Spectrum Systems on*
35 *ANSI-41 (DS-41) (Upper Layers Air Interface)*, June 2000.
- 36 [8] 3GPP2 X.S0011-C, *Wireless IP Network Standard*, six parts, September 2003.
- 37 [9] 3GPP2 N.S0005, *Cellular Radiotelecommunications Intersystem Operations*,
38 December 1997.
- 39 [10] Reserved.
- 40 [11] 3GPP2 A.S0011-C, *Interoperability Specification (IOS) for cdma2000[®] Access*
41 *Network Interfaces – Part 1 Overview*, February 2005.
- 42 [12] 3GPP2 A.S0012-C, *Interoperability Specification (IOS) for cdma2000[®] Access*
43 *Network Interfaces – Part 2 Transport*, February 2005.
- 44 [13] 3GPP2 A.S0013-C, *Interoperability Specification (IOS) for cdma2000[®] Access*
45 *Network Interfaces – Part 3 Features*, February 2005.
- 46 [14] 3GPP2 A.S0014-C, *Interoperability Specification (IOS) for cdma2000[®] Access*
47 *Network Interfaces – Part 4 (A1, A1p, A2, and A5 Interfaces)*, February 2005.
- 48 [15] 3GPP2 A.S0015-C, *Interoperability Specification (IOS) for cdma2000[®] Access*
49 *Network Interfaces – Part 5 (A3 and A7 Interfaces)*, February 2005.
- 50 [16] 3GPP2 A.S0016-C, *Interoperability Specification (IOS) for cdma2000[®] Access*
51 *Network Interfaces – Part 6 (A8 and A9 Interfaces)*, February 2005.
- 52 [17] 3GPP2 A.S0017-C, *Interoperability Specification (IOS) for cdma2000[®] Access*
53 *Network Interfaces – Part 7 (A10 and A11 Interfaces)*, February 2005.

- 1 [18] 3GPP2 S.R0005-B, *Network Reference Model for cdma2000® Spread Spectrum*
 2 *Systems*, April 2001.
 3 [19] 3GPP2 X.S0012-0 v2.0, *Legacy MS Domain Step 1*, March 2004.

4 **1.2.3 Other**

- 5 [20] Internet Engineering Task Force, *RFC 2002 – IP Mobility Support Specification*,
 6 1996.
 7
 8

9 **1.3 Terminology**

11 **1.3.1 Acronyms**

12

Acronym	Meaning
3GPP	Third Generation Partnership Project
3GPP2	Third Generation Partnership Project 2
ANSI	American National Standards Institute
BS	Base Station
BSC	Base Station Controller
BTS	Base Transceiver System
CDMA	Code Division Multiple Access
DS-41	Direct Spread (ANSI)-41
EHDM	Extended Handoff Direction Message
EIA	Electronics Industry Association
GHDM	General Handoff Direction Message
IETF	Internet Engineering Task Force
IOS	Interoperability Specification
IP	Internet Protocol
IS	Interim Standard
ISDN	Integrated Services Digital Network
IWF	Interworking Function
kbps	kilobits per second
MEID	Mobile Equipment Identifier
MGW	Media Gateway
MIP	Mobile Internet Protocol
MS	Mobile Station
MSC	Mobile Switching Center
MSCe	Mobile Switching Center Emulation
MTSO	Mobile Telephone Switching Office
PCF	Packet Control Function

Acronym	Meaning
PCM	Pulse Code Modulation
PDSN	Packet Data Serving Node
PSTN	Public Switched Telephone Network
RTO	Remote Transcoder Operation
SDU	Selection/Distribution Unit
TIA	Telecommunications Industry Association
TrFO	Transcoder Free Operation
TSB	Telecommunications Systems Bulletin
UDI	Unrestricted Digital Information
UMTS	Universal Mobile Telecommunication System
UHDM	Universal Handoff Direction Message
VPOP	Voice Preference Over Packet
XC	Transcoder

1

2 **1.3.2 Definitions**

3 **Base Station.** An entity in the public radio telecommunications system used for radio
4 telecommunications with MSs.

5 **Base Station Controller.** The control portion of the BS that includes call control logic
6 and interconnections to the MSC, the MSCe, the MGW, the PCF, the BTSs that are part
7 of the BS, other BSCs, and BTSs of neighboring BSs for purposes of soft/softer handoff.

8 **Base Transceiver Station.** A component of a BS that includes radio equipment. A BTS
9 is sometimes equated with the physical cell site of a wireless network.

10 **Bearer Connection.** A connection intended to provide a path for user traffic.

11 **Call Association.** The totality of the active communication between the MS and the
12 network, including all signaling and transfer of user information.

13 **Cell.** The unit of a BS having the ability to radiate in a given geographic area. In this
14 standard, a Cell ID refers to a particular cell and sector.

15 **Channel Assignment Message.** Either a Channel Assignment Message or Extended
16 Channel Assignment Message.

17 **Circuit-Switched MSC.** A circuit-switched MSC provides processing, control and bear-
18 er path for calls and services. The MSC provides signaling capability via an SS7-based
19 connection to the BS on the A1 interface and bearer paths via terrestrial circuits on the
20 A2 and A5 interfaces.

21 **DS-41.** An operational mode in which the BS and MS operate with the direct spread (DS)
22 radio layers of the UMTS system defined by 3GPP, and the upper layers defined in
23 [1]~[6] that conform to and interoperate with ANSI-41 based networks [9].

1 **Dormant Handoff.** A handoff that occurs when an MS with a dormant packet session
2 determines that it has crossed a packet zone boundary. Dormant handoff results in A10
3 connection(s) being established between the target PCF and the target PDSN. A dormant
4 handoff may require exchange of higher layer protocol messages between the MS and the
5 PDSN, and thus, reactivation of the packet data session. Note that no air interface
6 channels are handed off or re-configured as the result of a dormant handoff.

7 **Fast Handoff.** Fast handoff is a particular type of hard handoff that applies only to
8 packet data sessions. Fast handoff allows the target PDSN to connect to an anchor PDSN
9 where the packet data session was first established, eliminating the need to re-establish a
10 PPP session while the packet data session is active. Fast handoff allows for early
11 establishment of the A10 connections on the target side.

12 **Handoff.** Handoff is the process by which an air interface circuit between an MS and a
13 BS is transferred from the current BS equipment and air interface channel to either a
14 different BS equipment and air interface channel or a different air interface channel on
15 the current BS equipment. Handoffs are an IOS consideration insofar as user traffic and
16 signaling paths through the RAN need to be established, modified or released;
17 information needs to be exchanged between the source and target BSs; and air interface
18 changes may need to be signaled to the core network. Refer also to [13], section 3.19, for
19 specific handoff considerations. The following types of handoffs are supported:

- 20 1. **Hard Handoff:** A handoff characterized by a temporary disconnection of the Traffic
21 Channel. Hard handoffs occur when the MS is transferred between disjoint Active
22 Sets, when the CDMA Frequency Assignment changes, when the frame offset
23 changes, or when the MS is directed from a CDMA Traffic Channel to an analog
24 voice channel. From an IOS perspective, a change in Selection Distribution Unit
25 (SDU) across BSs is considered to be a hard handoff.
- 26 2. **Soft Handoff:** A handoff occurring while the MS is in the Mobile Station Control on
27 the Traffic Channel State. This handoff is characterized by commencing
28 communications with a new BTS on the same CDMA Frequency Assignment
29 without terminating communications with an old BTS. For IOS considerations, the
30 same SDU function is used before and after the handoff is performed.
- 31 3. **Soft Handoff with Pre-Selection:** The configuration achieved when a BS internally
32 splits a single forward flow of coded user information from the frame selector to
33 send it to two or more cells controlled by that BS. In the reverse direction, the BS
34 joins the flows of coded user information frames from those cells, selects the best
35 quality frame (preselection), and forwards only that selected frame to the frame
36 selector.
- 37 4. **Softer Handoff:** A handoff involving two or more traffic channels on a call such that
38 in the forward direction the BS splits a single flow of traffic channel frames into two
39 or more forward flows to be sent to the MS with the power control combined bit set
40 to indicate that the same reverse power control information is to be used. In the
41 reverse direction the BS combines the traffic channel frames that are received from
42 two or more cells/sectors and forms a single reverse flow from this combination.

43 **IMSI_M.** MIN-based IMSI using the lower 10 digits to store the MIN.

44 **IMSI_T.** True IMSI not associated with MIN. This could be 15 digits or fewer.

45 **Interworking Function.** The Interworking Function (IWF), used in the context of this
46 standard, provides a translation of the user traffic on a circuit data call between the fixed
47 network and the air interface.

1 **Logical Channel.** A logical path that can carry signaling, user traffic, or a combination
 2 of the two between two entities such as the network and the MS. A logical channel can be
 3 instantiated over one or more physical channels. Logical channels may also share
 4 physical channels.

5 **MC-41.** An operational mode in which the BS and MS operate with the multi-carrier
 6 (MC) radio layers and the upper layers defined in [1]~[6] that conform to and inter-
 7 operate with ANSI-41 based networks [9].

8 **Media Gateway.** The MGW provides an interface between the packet environment of
 9 the core network and the circuit switched environment of the Public Switched Telephone
 10 Network (PSTN) for bearer traffic, when equipped with circuit capabilities. The MGW
 11 may provide transcoding functions to the bearer traffic. The MGW may also provide
 12 modem functions to convert digital byte streams to and from audio modem tones placed
 13 on circuits. It also provides policy enforcement relative to its activities and resources. The
 14 MGW provides a bearer path to the BS. The MSCe controls the MGW.

15 **Mobile Equipment Identifier (MEID).** A 56-bit number assigned by the MS manu-
 16 facturer, uniquely identifying the MS equipment.

17 **Mobile Station.** An entity in the public cellular radio telecommunications service
 18 intended to be used while in motion or during halts at unspecified points. Mobile stations
 19 include portable units (e.g., hand-held personal units) and units installed in vehicles.

20 **Mobile Switching Center.** The MSC switches MS-originated or MS-terminated traffic.
 21 An MSC connects to one or more BS . It may connect to other public networks (PSTN,
 22 ISDN, etc.), other MSCs in the same network, or MSCs in different networks. (It has
 23 been referred to as Mobile Telephone Switching Office, MTSO.) It provides the interface
 24 for user traffic between the wireless network and other public switched networks, or other
 25 MSCs.

26 In this document, for signaling, the term MSC refers to either a circuit-switched MSC or
 27 an MSCe. For bearer path, the term MSC refers to either a circuit-switched MSC or a
 28 MGW. In situations where a statement applies to either the circuit-switched or packet-
 29 based MSC exclusively, the type of MSC will be specifically identified (i.e. “circuit-
 30 switched MSC” or “MSCe”).

31 **Mobile Switching Center Emulation.** The MSCe provides processing and control for
 32 calls and services. The MSCe provides signaling capabilities equivalent to a circuit-
 33 switched MSC on the A1p interface. The MSCe connects to a BS via IP based protocols.

34 **origination message.** In this document, “origination message” is used to indicate either
 35 an Origination or Enhanced Origination air interface message.

36 **ORYX.** A wireless data encryption and decryption algorithm.

37 **Packet Control Function.** An entity in the radio access network that manages the relay
 38 of packets between the BS and the PDSN.

39 **Packet Data Session.** The set of one or more packet data service instances in use at any
 40 time at the RAN/PDSN. A packet data session starts when the first service instance
 41 transitions out of the Null/Inactive State, and ends when the last service instance
 42 transitions to the Null/Inactive State.

1 **Packet Data Serving Node.** An entity that routes MS originated or MS terminated
 2 packet data traffic. A PDSN establishes, maintains and terminates link layer sessions to
 3 MSs.

4 **Physical Channel.** A physical path between the SDU function and the MS that consists
 5 of any connecting A3 traffic channel(s) and radio channel(s). Depending on the radio
 6 technology in use, a physical channel may be in soft handoff between the MS and the
 7 SDU function.

8 **Remote Transcoder Operation:** A network capability for endpoints with incompatible
 9 codecs. RTO attempts to enable the bearer by matching the incompatible codecs with a
 10 single transcoder. For circumstances where a single transcoder is not available to enable
 11 the bearer, two tandem transcoders may be required to find a match between the end-
 12 points.

13 **SDU Function.** The SDU function (Selection/Distribution Unit function) provides bearer
 14 termination within the BS. An example SDU implementation may include the following
 15 functions:

- 16 • Signaling Layer 2: This function performs the layer 2 functionality of the air
 17 interface signaling protocol and is responsible for the reliable delivery of layer 3
 18 signaling messages between the BS and the MS. This functionality may be in the
 19 BTS in some situations.
- 20 • Multiplex Sublayer: This function multiplexes and demultiplexes user traffic and
 21 signaling traffic for the air interface.
- 22 • Power Control: This function administers parts of the forward and reverse link power
 23 control in a CDMA system. This function and the channel elements provide power
 24 control functionality. This function generates or utilizes the power control
 25 information in whole or in part that is exchanged over the air interface or with the
 26 channel elements.
- 27 • Frame Selection/Distribution: This function is responsible for selecting the “best”
 28 incoming air interface reverse link frame from the channel elements involved in the
 29 soft handoff. It also distributes forward air interface frames to all channel elements
 30 involved in a call.
- 31 • Backhaul Frame Handler: This function demultiplexes the control information and
 32 the air interface reverse frame from the frame received over the backhaul network. It
 33 also multiplexes the control information and the air interface frames in the forward
 34 direction.
- 35 • Intra-BS Frame Handler: This function exchanges backhaul frames with channel
 36 elements involved in intra-BS soft handoff.
- 37 • Inter-BS Frame Handler: This function exchanges backhaul frames with channel ele-
 38 ments involved in inter-BS soft handoff.

39 **Sector.** A face of a of physical radio equipment implementation.

40 **Service Instance.** An instance of a higher level communication service between the MS
 41 user and various other endpoints.

42 **Service Provider Network.** A network operated by either the home service provider or
 43 the visited service provider. The home service provider maintains the customer business
 44 relationship with the user. The visited service provider provides access services through
 45 the establishment of a service agreement with the home service provider.

46 **Serving Network.** The network that provides access services to the user.

Signaling Connection. A connection intended to provide a path for signaling traffic.

Source Base Station. The BS that is in control of the call.

System Identification. The System Identification (SID) is a number that uniquely identifies a network within a cellular or PCS system.

Target Base Station. Any BS that supports the call other than the source BS.

Transcoder. A function that converts from one speech encoding format to another speech encoding format.

Transcoder Free Operation: A network capability for MS-to-MS calls, where the MSs have identical codecs. TrFO enables the bearer path without introducing vocoders in the bearer path. Compressed speech is passed between the MS endpoints.

1.4 Organization

This section outlines the relationship of the current specification with neighboring elements (air interface, packet data network and the core network) as well as with older versions of the IOS itself. The cross reference of IOS specifications in section 1.4.1 is provided for information and is not intended to indicate additional requirements for the IOS.

1.4.1 Overall IOS Specifications

When addressing previous revisions of the IOS, this revision of the specification uses a common (historical) identifier, IOS v x.y.z, which can be cross referenced as shown in Table 1.4.1-1.

Table 1.4.1-1 IOS Cross References

Common ²	CDG	3GPP2	TIA	Air Interface ³
-	-	-	IS-634 December 1995	IS-95 July 1993
-	-	-	IS-634-A July 1998	IS-95-A May 1995
-	-	-	IS-634-B April 1999	TIA/EIA-95-B March 1999
IOS v2.0.1	IOS v2.0.1 Dec 1998	-	-	-
IOS v2.2	IOS v2.2 June 1999	-	-	-
IOS v2.3	IOS v2.3 Feb 2000	-	-	-

² The Common identifier aligns with numbering used in the Software Version Information Element.

³ The relationship between air interface and IOS releases is provided for information and is not intended to be an absolute indication of features supported by an IOS release.

Table 1.4.1-1 IOS Cross References

Common²	CDG	3GPP2	TIA	Air Interface³
IOS v2.4	IOS v2.4 March 2000	-	-	-
IOS v3.0	IOS v3.0 Nov 1998	-	-	-
IOS v3.1.1	IOS v3.1.1 Aug 1999	-	-	-
IOS v3.2	IOS v3.2 March 2001	-	-	-
IOS v4.0	-	A.S0001 v0.1 June 2000	IS-2001 December 2000	IS-2000 August 2001
IOS v4.1	-	A.S0001-A v2.0 June 2001	IS-2001-A August 2001	IS-2000-A April 2002
IOS v4.2	-	A.S0011~17 v2.0 May 2002	TIA-2001-B May 2002	TIA-2000-B May 2002
IOS v4.3	-	A.S0011~17-A v2.0.1 July 2003	TIA-2001-C July 2003	TIA-2000-B May 2002
IOS v4.3.1	-	A.S0011~17-B v1.0 April 2004	TIA-2001-C-1 December 2003	TIA-2000-C May 2002
IOS v5.0	-	A.S0011~17-C v1.0 TBD 2004	TIA-2001-D TBD 2004	TIA-2000-D March 2004

1

1.5 Document Layout

2

3

The IOS is organized into seven parts, each published in a separate document:

4

[11] Overview, general overview

5

[12] Transport, protocol definitions and transport requirements

6

[13] Features, descriptions of features

7

[14] A1/A1p/A2/A5 Interfaces, definition of the interfaces

8

[15] A3/A7 Interfaces, definition of the interfaces

9

[16] A8/A9 Interfaces, definition of the interfaces

10

[17] A10/A11 Interfaces, definition of the interfaces

11

The interface documents define the individual interfaces – this includes message procedures, message bitmaps, information element definitions, and the definitions of timers that are related to the interface. Note that some information elements are used on multiple interfaces; in this situation, the information element is defined in each of the associated interface documents. Changes to the definition of an information element in one interface document do not imply changes to its definition in other interface documents. However, insofar as possible, the same Information Element Identifier shall be used in all definitions of the same information element.

19

The Features document provides descriptions of the features supported in the IOS and Stage 2 text (e.g. call flows) for these features, which interfaces are used, which messages are used, and how the feature is implemented using these messages.

20

21

1.6 Documentation Conventions

“Shall” and “shall not” identify requirements to be followed strictly to conform to the standard and from which no deviation is permitted. “Should” and “should not” indicate that one of several possibilities is recommended as particularly suitable, without mentioning or excluding others; that a certain course of action is preferred but not necessarily required; or (in the negative form) that a certain possibility or course of action is discouraged but not prohibited. “May” and “need not” indicate a course of action permissible within the limits of the standard. “Can” and “cannot” are used for statements of possibility and capability, whether material, physical, or causal.

The scenarios and examples in this specification are not meant to be exhaustive, but are only used to help explain some of the important procedures of the protocol.

Figure 1.6-1 is provided as an example of the call flow conventions used in this specification.

Several points within the diagram are worthy of note. The circled numbers in the following figure correspond to the numbered items below.

1. Horizontal dotted lines are used to indicate messaging that is not part of defined interfaces specified in this specification. Not all air interface messages are shown, and names may be generic. For example, the phrase “handoff direction message” is meant to include Extended Handoff Direction Message (EHDM), General Handoff Direction Message (GHDM), and Universal Handoff Direction Message (UHDM).
2. Vertical dotted lines between messages are used to indicate the span of timers. The timer name is placed as close as possible to the line. Timer names begin with a capital “T” followed by digits or alphabetic characters. If a timer expires prior to reception of a message that stops the timer, the expiration is shown with an ‘x’ at the end of the vertical dotted line.
3. Horizontal solid lines are used to indicate messaging that is part of the interfaces specified in this standard.
4. Lower case letters are associated with individual messaging instances in the diagram in alphabetical order arranged vertically. These letters correlate the text below the diagram with portions of the diagram.
5. Procedures that may involve the exchange of several messages are shown as an open block arrow with the name of the procedure inside.
6. Comments related to parts of the diagram are located in a comment column on the right side of the diagram.

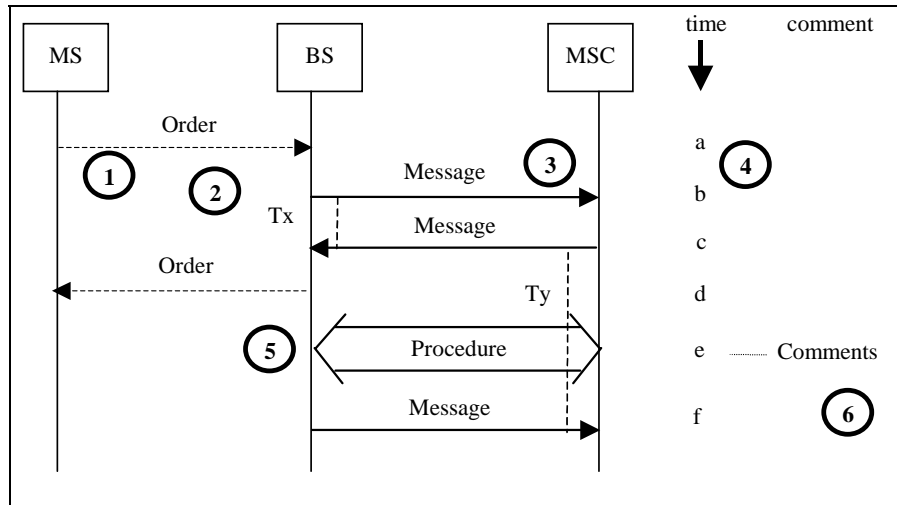


Figure 1.6-1 Document Convention Example: Call Clear Initiated by MS

- a. The MS transmits an Order over the reverse link.
- b. The BS sends a message to the MSC. The BS starts timer T_x .
- c. The MSC sends a message to the BS and starts timer T_y . The BS stops timer T_x .
- d. The BS acknowledges the MS message by returning an Order over the forward link.
- e. The BS and MSC execute the procedure.
- f. The BS returns a message to the MSC. The MSC stops timer T_y .

1.6.1 Procedural Descriptions

The procedural descriptions are broken into sections where each section describes one of the messages in the procedure. The description for each procedure is written to flow through each section devoted to the messages that make up the procedure. Each of these sections has the following subsection breakdowns (as appropriate):

1. **Successful Operation:** this section is used to describe what the message is for, why the sender is sending it, and what the receiver is expected to do with the message. It may also provide a brief tutorial on the overall impact of this message regarding the particular procedure. It includes invocation of any pertinent timers or discussion of timing constraints. It may also provide subsections that describe the uses of the elements within the message, particularly if they are not obvious.
2. **Failure Operation:** if applicable, this section is used to describe the actions of the sender if the expected response is not received by the sender. This includes treatment of timer expiration or receipt of failure messages stemming from the message that was sent.
3. **Abnormal Operation:** if applicable, this section is used to describe out of sequence events that could possibly occur and the treatment by the receiver of the message.

2.0 Interface Model

The logical reference model used for this standard is the Network Reference Model as shown in [18] and [19].

2.1 Reference Points A, A_{ter}, A_{quinter}, A_{quater}, 48 and 27

The Network Reference Model contains reference points A, A_{ter}, A_{quinter}, A_{quater}, 48 and 27 that are implemented by the protocols and interfaces of this standard.

- The A reference point is implemented by the A1, A2 and A5 interfaces.
- Reference point 48 is implemented by the A1p interface.
- Reference point 27 is implemented by the A2p interface.
- The A_{ter} reference point is implemented by the A3 and A7 interfaces.
- The A_{quater} reference point is implemented by the A10 and A11 interfaces.
- The A_{quinter} reference point is implemented by the A8 and A9 interfaces.

2.2 Interface Reference Model

The interfaces defined in this standard are described below.

A1	The A1 interface carries signaling information between the call control and mobility management functions of the circuit-switched MSC and the call control component of the BS (BSC).
A1p	The A1p interface carries signaling information between the call control and mobility management functions of the MSCe and the call control component of the BS (BSC).
A2	The A2 interface is used to provide a path for user traffic. The A2 interface carries 64/56 kbps PCM information (for circuit-oriented voice) or 64 kbps Unrestricted Digital Information (UDI, for ISDN) between the Switch component of the circuit-switched MSC and the Selection/Distribution Unit (SDU) function of the BS.
A2p	The A2p interface provides a path for packet-based user traffic sessions. The A2p interface carries either compressed (i.e., vocoded) or uncompressed (i.e., PCM) voice information via IP packets between the MGW and either the Transcoder (XC) or the Selection/Distribution Unit (SDU) function of the BS.
A3	The A3 interface is used to transport user traffic and signaling for inter-BS soft/softer handoff when a target BS is attached to the frame selection function within the source BS. The A3 interface carries coded user information (voice/data) and signaling information between the source BS SDU function and the channel element component (BTS) of the target BS. This is a logical description of the endpoints of the A3 interface. The physical endpoints are beyond the scope of this specification. The A3 interface is composed of two parts: signaling and user traffic. The signaling information is carried across a separate logical channel from the user traffic channel, and controls the allocation and use of channels for transporting user traffic.
A5	The A5 interface is used to provide a path for user traffic for circuit-oriented data calls between the source BS and the circuit-switched MSC.

1
2
3
4
5
6
7
8
9
10
11
12
13
14
15
16
17

- The A5 interface carries a full duplex stream of bytes between the switch component of the circuit-switched MSC and the SDU function of the BS.
- A7 The A7 interface carries signaling information between a source BS and a target BS for inter-BS soft/softer handoff.
- A8 The A8 interface carries user traffic between the BS and the PCF.
- A9 The A9 interface carries signaling information between the BS and the PCF.
- A10 The A10 interface carries user traffic between the PCF and the PDSN.
- A11 The A11 interface carries signaling information between the PCF and the PDSN.

This is a logical architecture that does not imply any particular physical implementation. For this standard the IWF for circuit-oriented data calls is assumed to be located at the circuit-switched MSC, and the SDU function is considered to be co-located with the source BSC. Figure 2.2-1 and Figure 2.2-2 shows the relationship among network components in support of MS originations, MS terminations, and direct BS-to-BS soft/softer handoff operations.

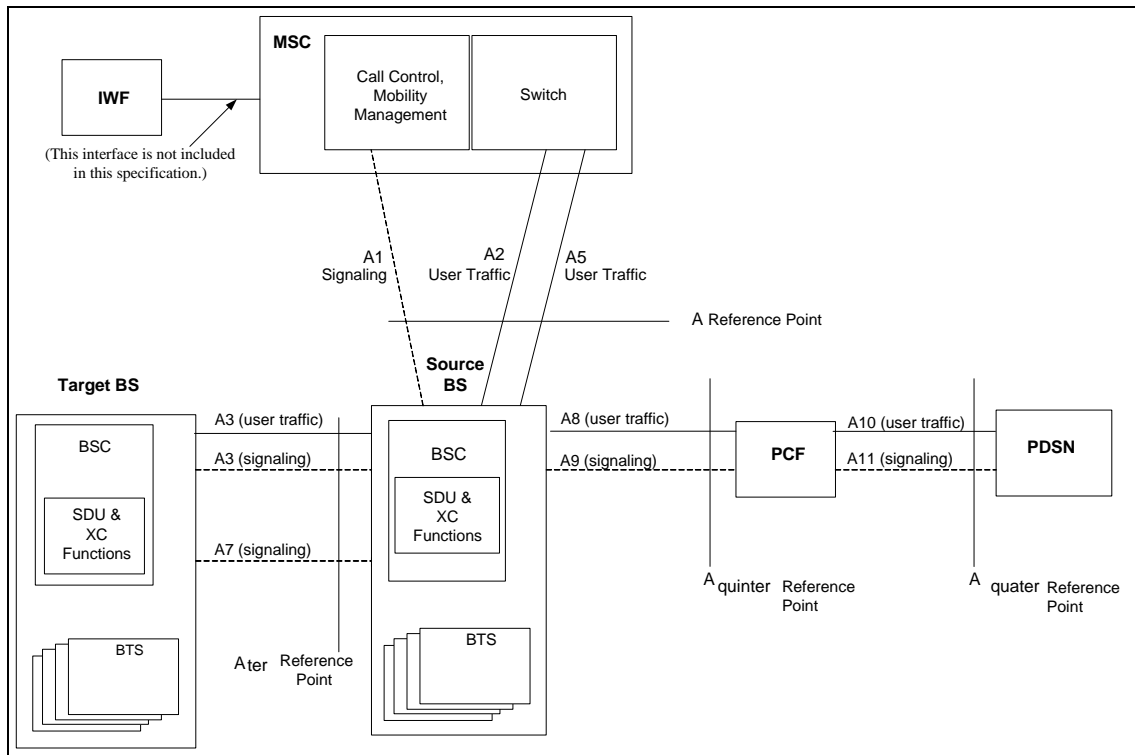
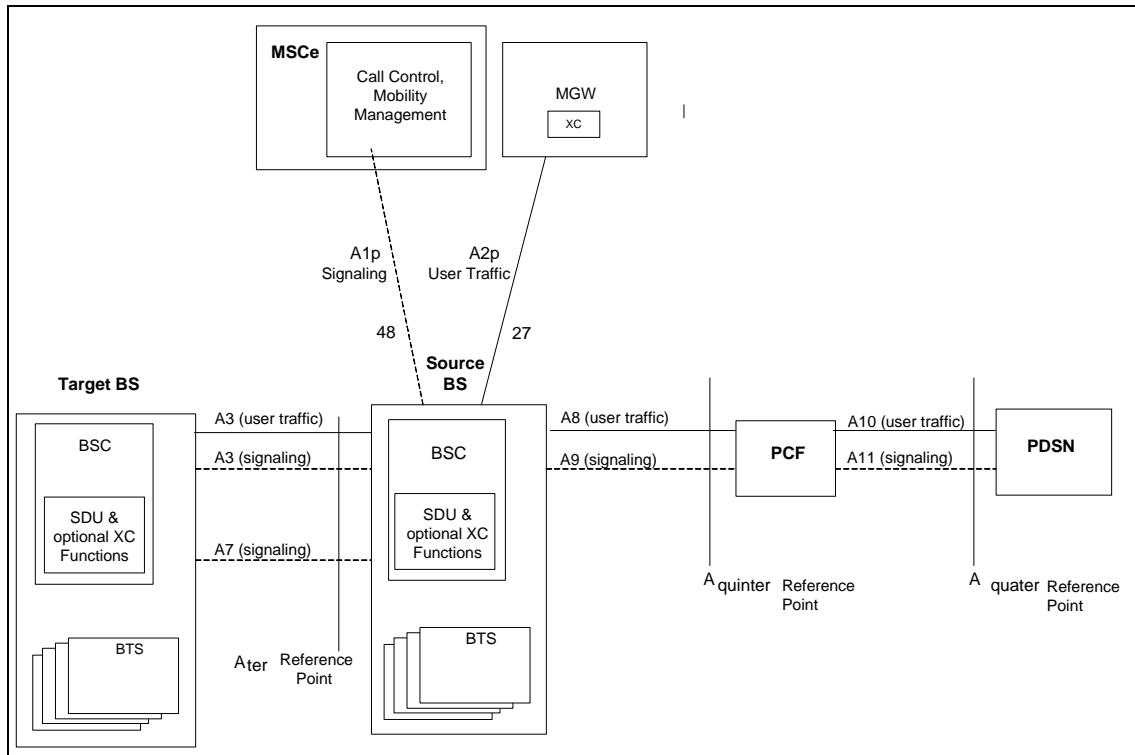


Figure 2.2-1 Reference Model for Circuit Switched cdma2000 Access Network Interfaces

1



2

3

Figure 2.2-2 Reference Model for Packet-based cdma2000 Access Network Interfaces

4

5

1

(This page intentionally left blank)

2

3.0 Information Flows

The interfaces defined in this standard provide:

- bearer (user traffic) connections (A2, A2p, A3 (traffic), A5, A8, and A10);
- a signaling connection between the channel element component of the target BS and the SDU function in the source BS (A3 signaling);
- a direct BS to BS signaling connection (A7);
- a signaling connection between the BS and the circuit-switched MSC (A1);
- a signaling connection between the BS and the MSCe (A1p);
- a signaling connection between the BS and PCF (A9); and
- a signaling connection between a PCF and PDSN pair (A11). A11 signaling messages are also used for passing accounting related and other information from the PCF to the PDSN.

In general, the functions specified on the interfaces are based on the premise that the interfaces carry signaling information that traverses the following logical paths:

- between the BS and MSC only (e.g., BS management information);
- between the MS and the MSC via the BS (e.g., the BS maps air interface messages to the A1 or A1p interface);
- between the BS and other network elements via the MSC;
- between the source BS and the target BS;
- between the BS and the PCF;
- between the PCF and the PDSN; and
- between the MS and the PDSN (e.g., authorization information and Mobile Internet Protocol (MIP) signaling).

These logical paths define all of the traffic that can exist on the defined interfaces.

1

(This page intentionally left blank)

2

3

4.0 MS Mobility for Packet Data Service

The Figure 4-1 provides a conceptual view of levels of packet data mobility.

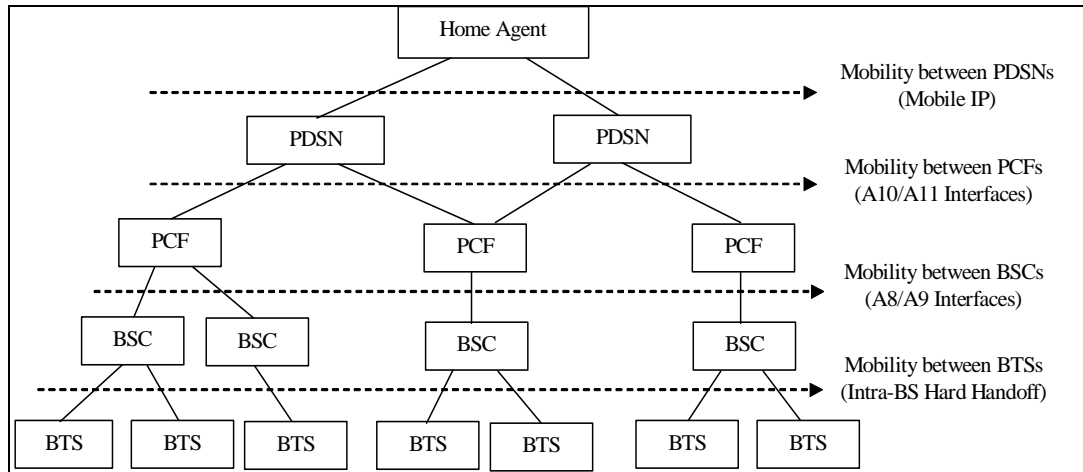


Figure 4-1 Levels of Packet Data Mobility

- MIP [20] supports MS mobility between PDSNs under the same Home Agent. The PDSN provides the functionality of the Foreign Agent.
- The A10/A11 interfaces support MS mobility between PCFs under the same PDSN.
- The A8/A9 interfaces support MS mobility between BSCs under the same PCF.
- Hard handoff, fast handoff, dormant handoff and soft handoff procedures realize MS mobility between BTSs.

1

(This page intentionally left blank)

2

3

